



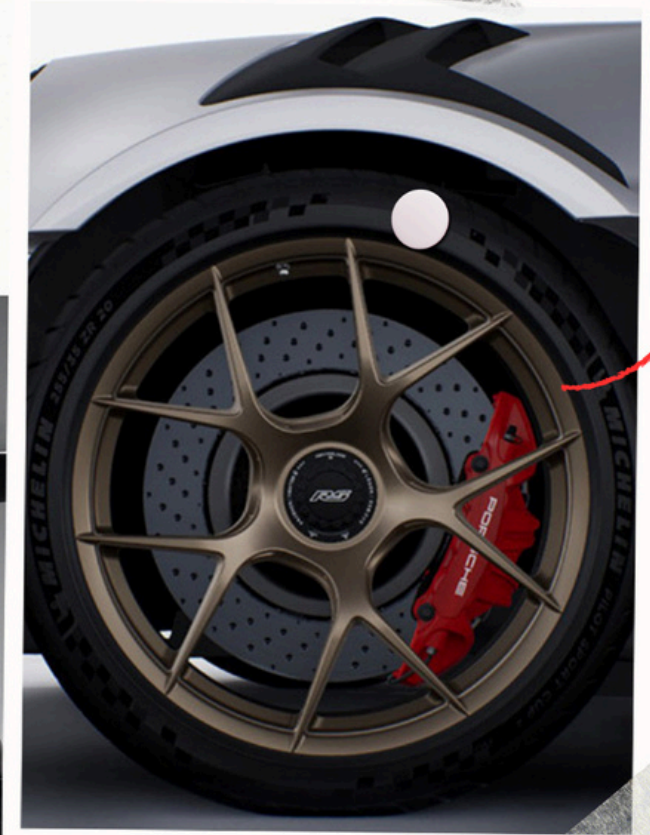
JIB_JAR CAD_CAR

A Solidworks exploration

Color Scheme

Main Body

Wheels Design



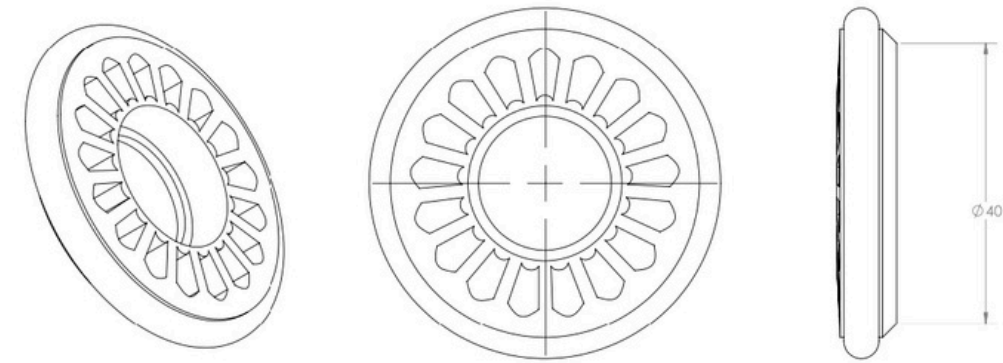
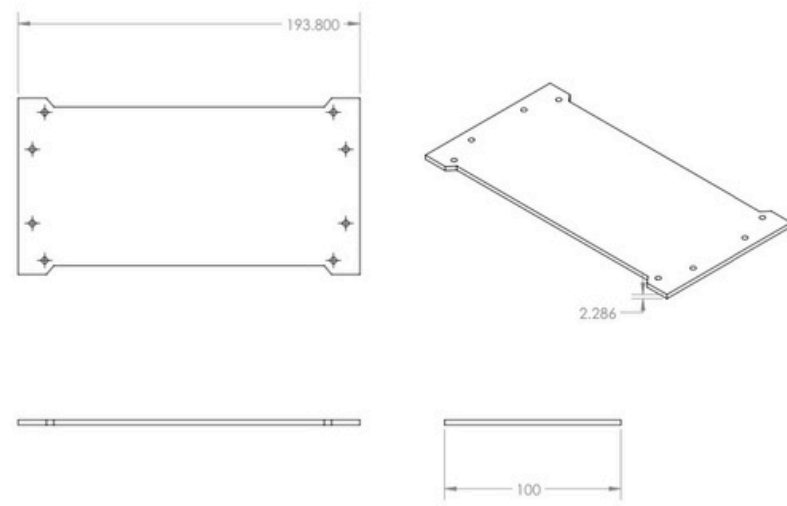
CARS



sketches



solid work views

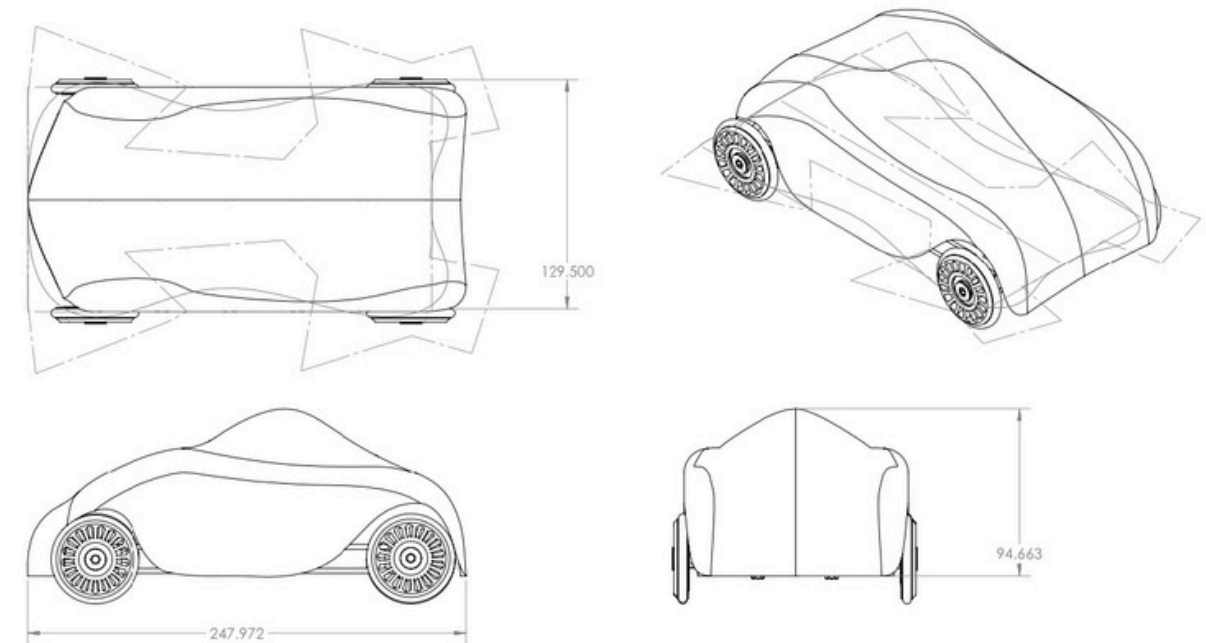
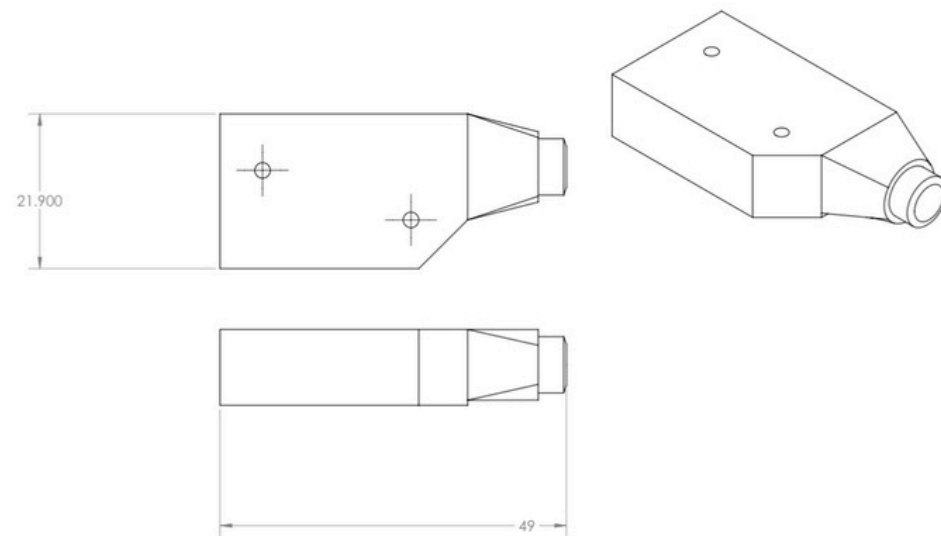


IND 256 - Digital Twin I - Spring 2024

Name: smason
 Assignment: JIB_MAS_A01_assemblyMason_A02 Plate
 Date: 4/11/2024
 File: JIB_MAS_A01_assemblyMason_A02 Plate
 Units: \$PRPSHEET:{SW-Sheet Scale(SW-Sheet Scale)}
 Scale: \$PRPSHEET:{SW-Sheet Scale(SW-Sheet Scale)}

IND 256 - Digital Twin I - Spring 2024

Name: smason
 Assignment: JIB_MAS_A01_assemblyMason_A01Wheel Gag
 Date: 4/11/2024
 File: JIB_MAS_A01_assemblyMason_A01Wheel Gag
 Units: \$PRPSHEET:{SW-Sheet Scale(SW-Sheet Scale)}
 Scale: \$PRPSHEET:{SW-Sheet Scale(SW-Sheet Scale)}

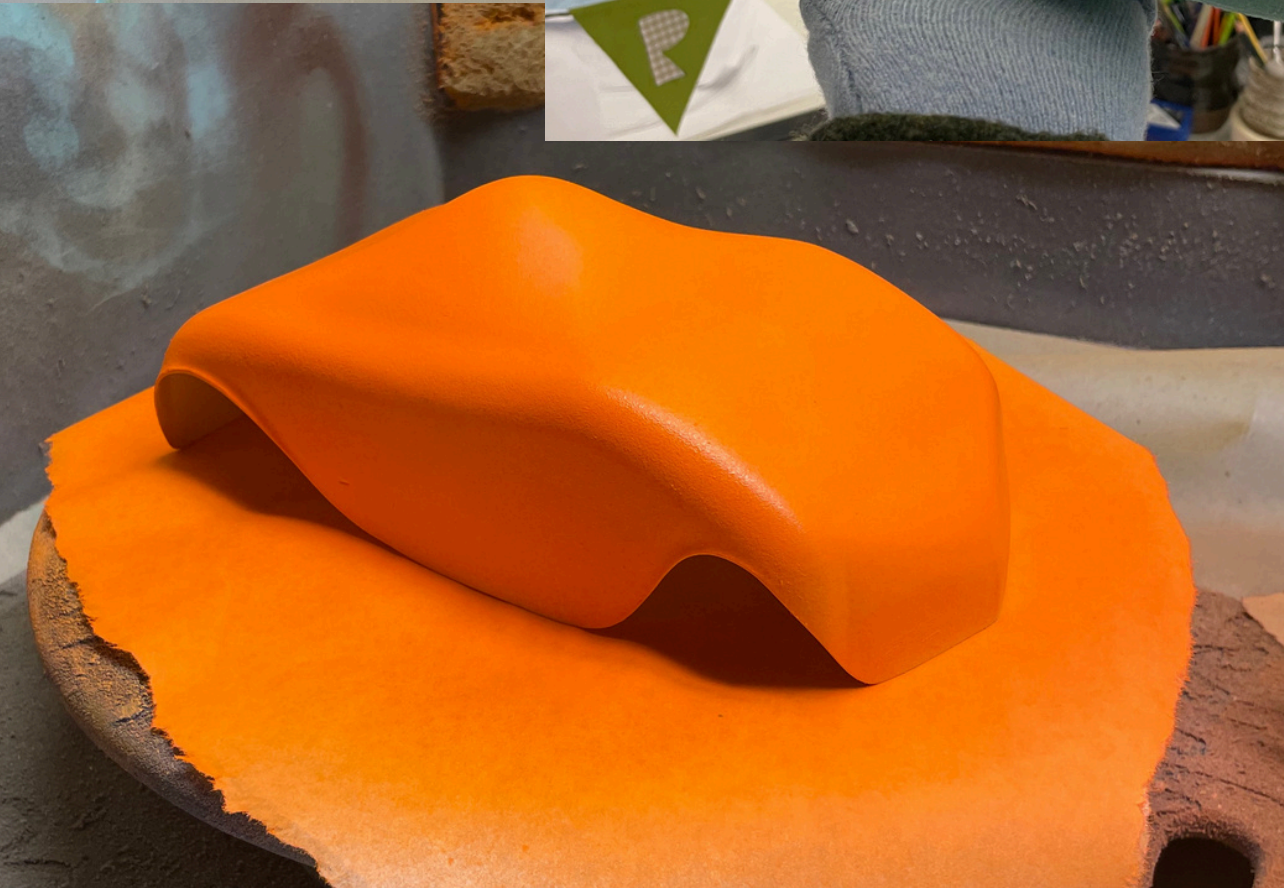
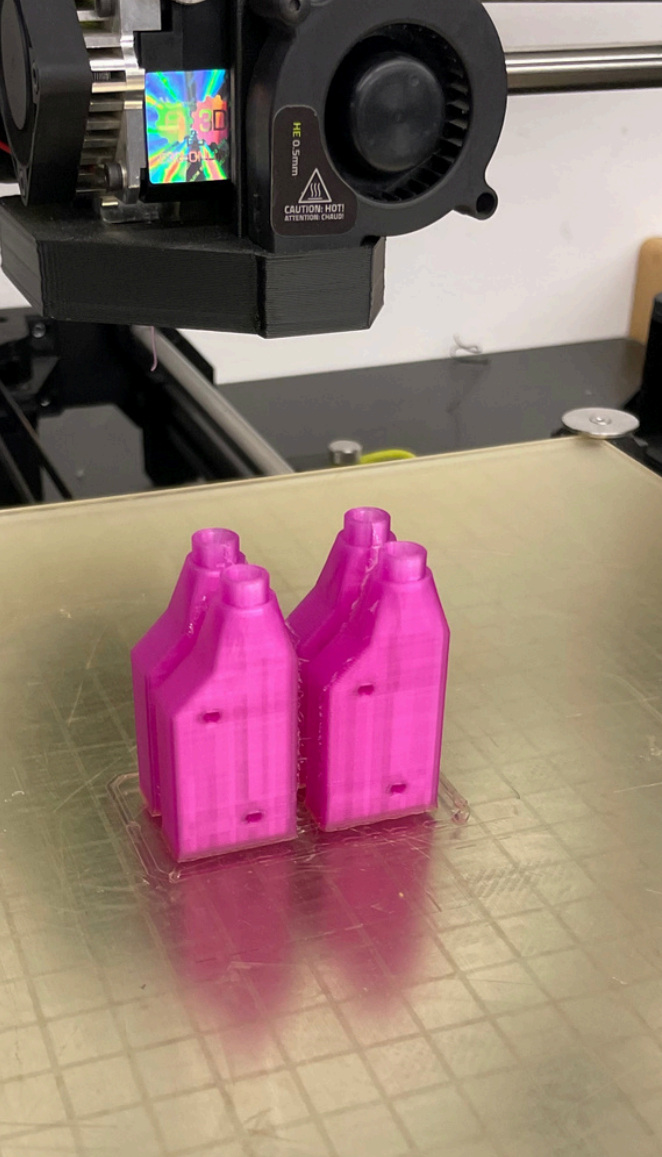


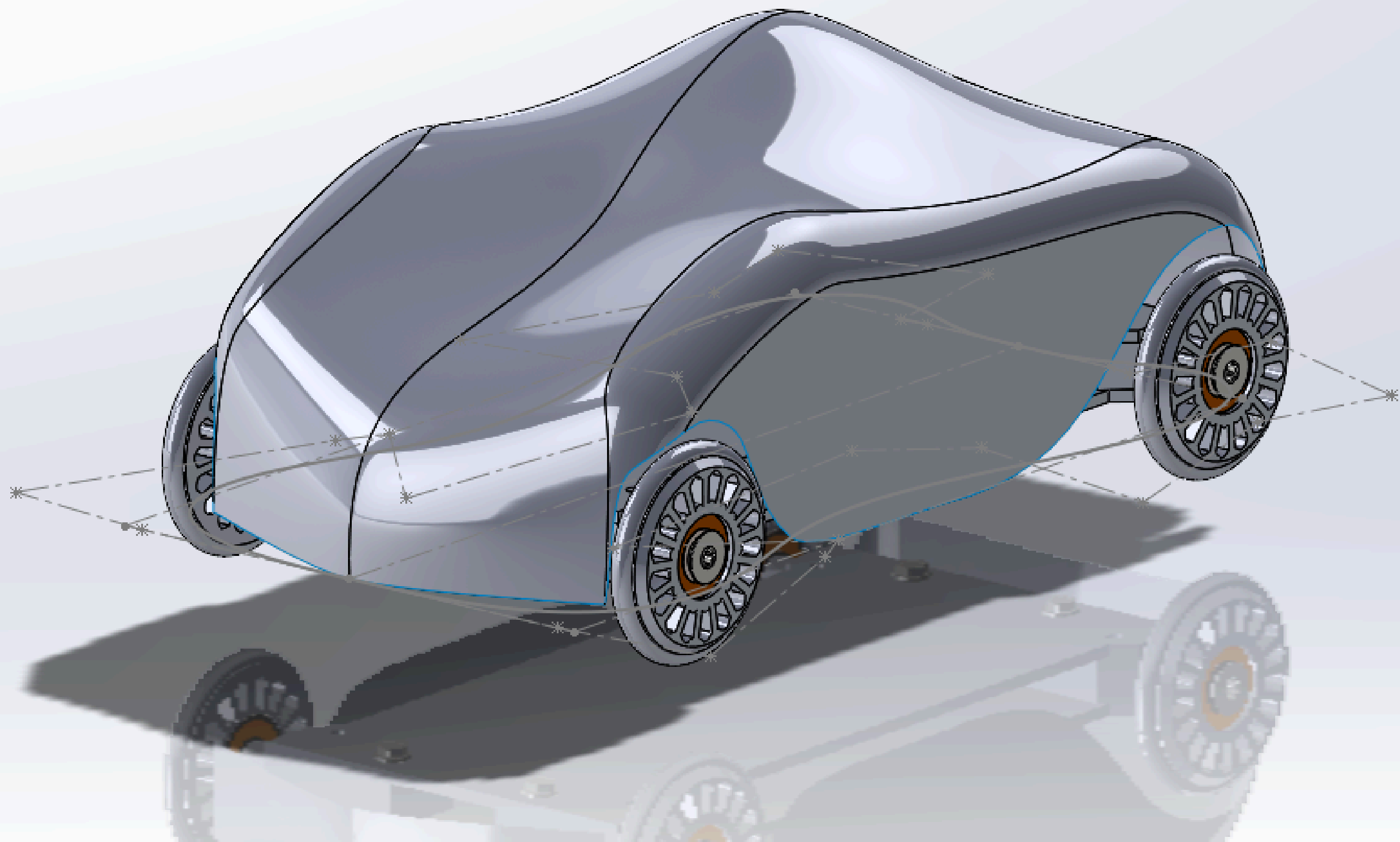
IND 256 - Digital Twin I - Spring 2024

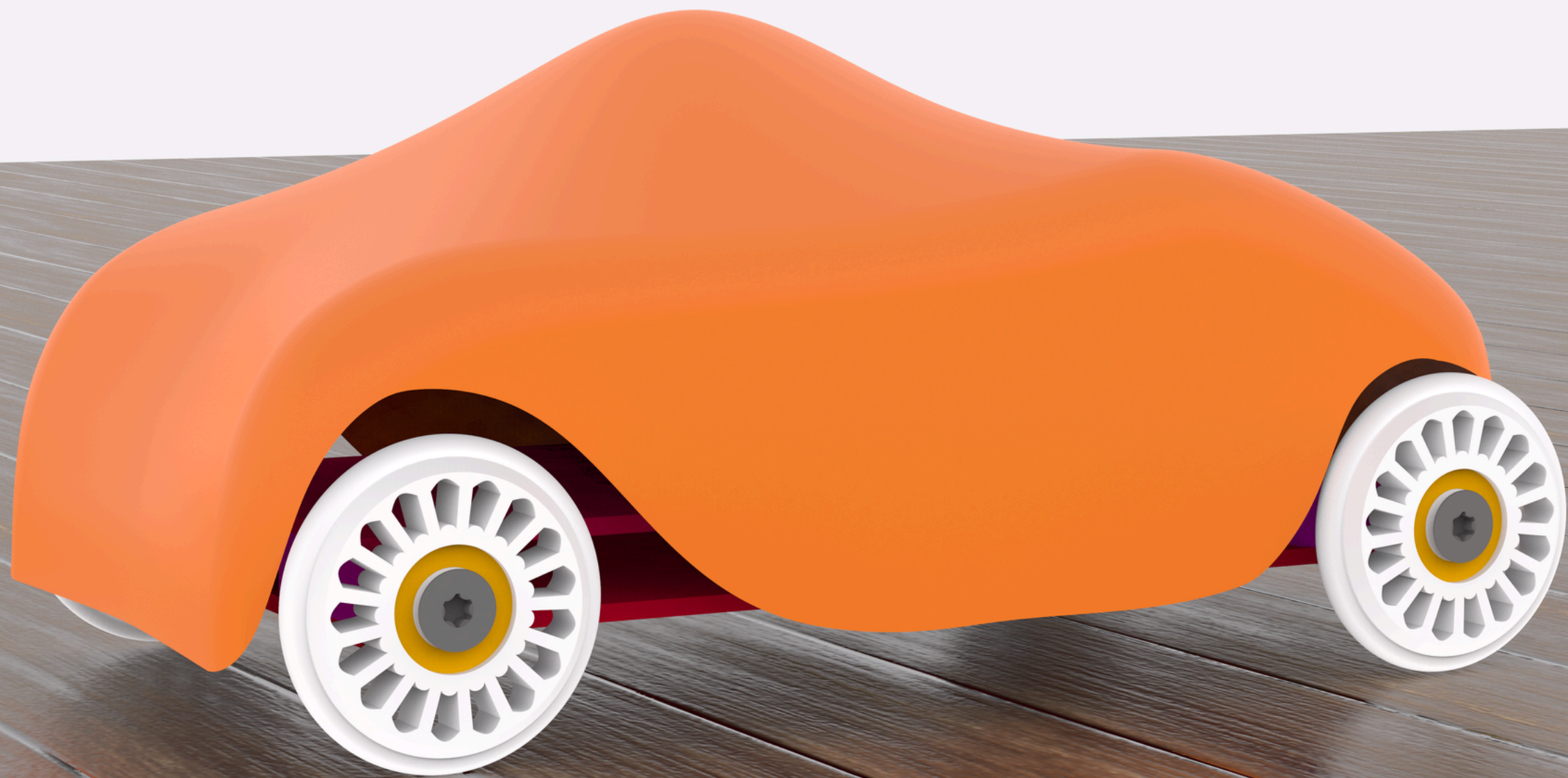
Name: smason
 Assignment: JIB_MAS_A01_assemblyMason_A01_axel
 Date: 4/11/2024
 File: JIB_MAS_A01_assemblyMason_A01_axel
 Units: \$PRPSHEET:{SW-Sheet Scale(SW-Sheet Scale)}
 Scale: \$PRPSHEET:{SW-Sheet Scale(SW-Sheet Scale)}

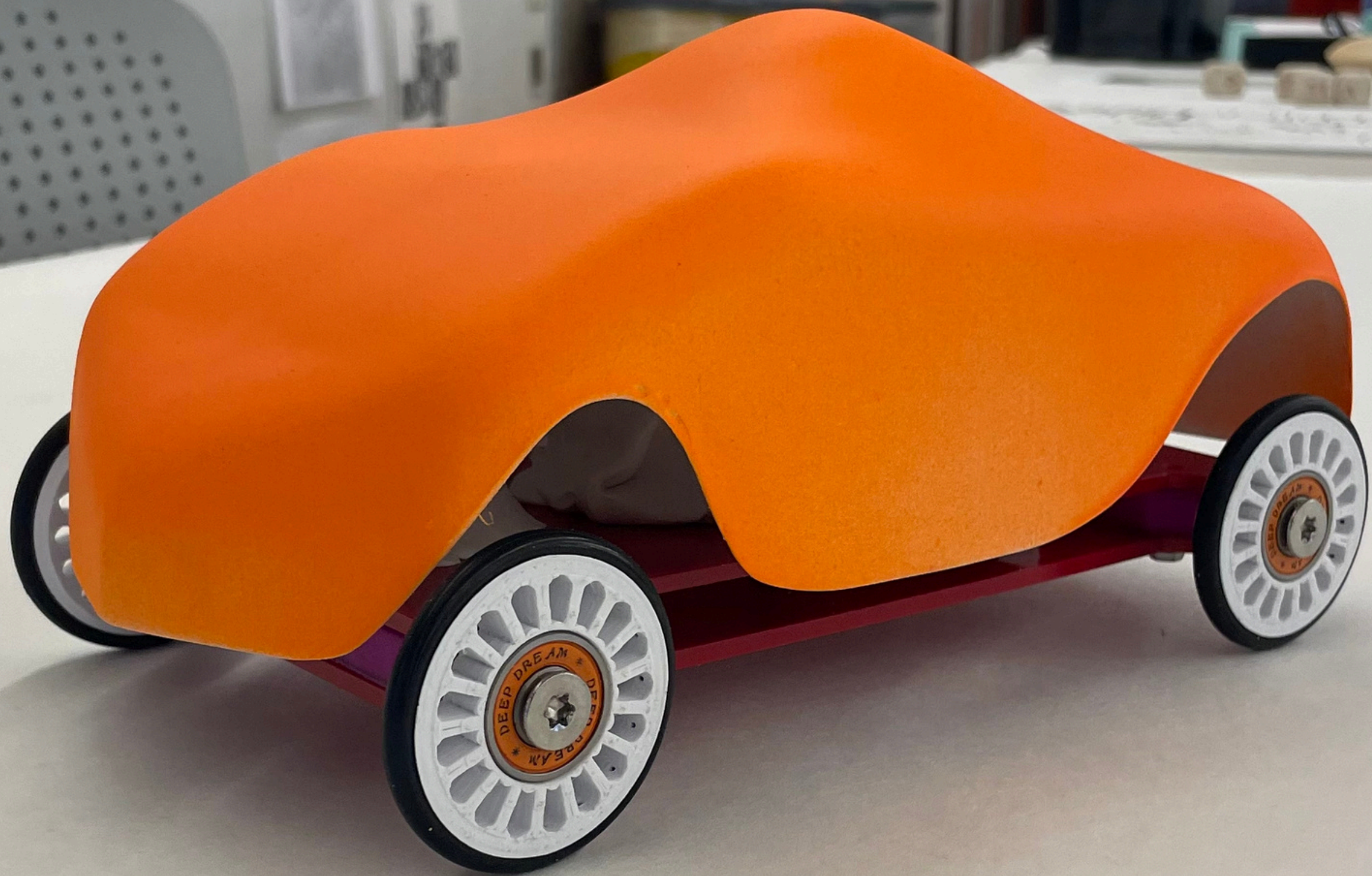
IND 256 - Digital Twin I - Spring 2024

Name: smason
 Assignment: JIB_MAS_A01_assemblyJIB_MAS_A01_car final
 Date: 4/11/2024
 File: JIB_MAS_A01_assemblyJIB_MAS_A01_car final
 Units: \$PRPSHEET:{SW-Sheet Scale(SW-Sheet Scale)}
 Scale: \$PRPSHEET:{SW-Sheet Scale(SW-Sheet Scale)}











JIB_JAR_CAD_CAR

(that weird orange thing behind this card)

Sarah Mason + Jibril Barrie